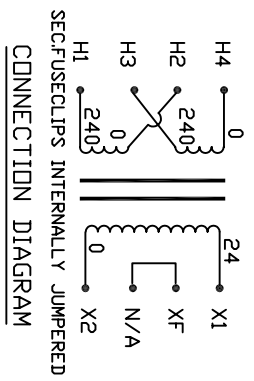
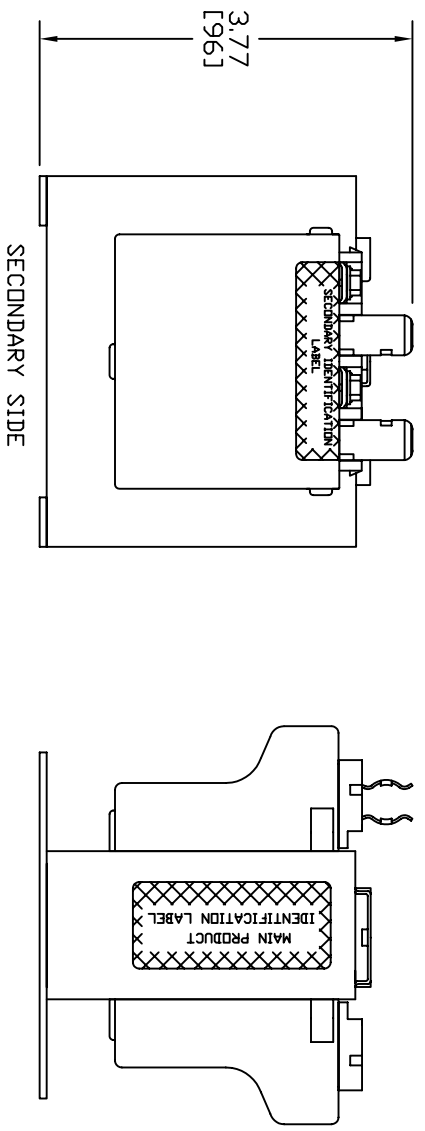
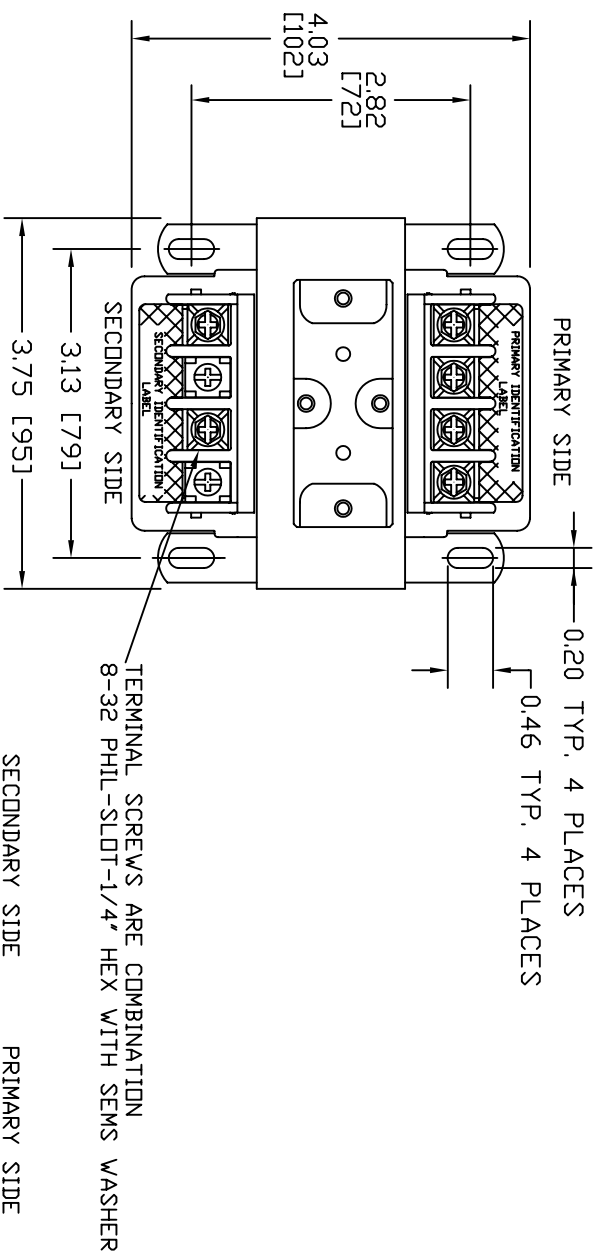
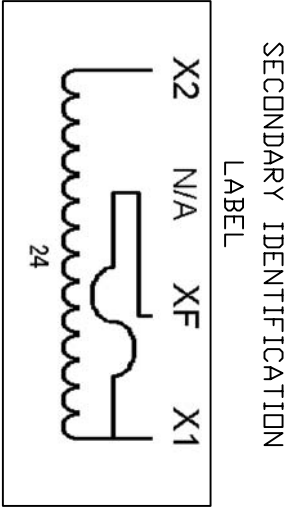
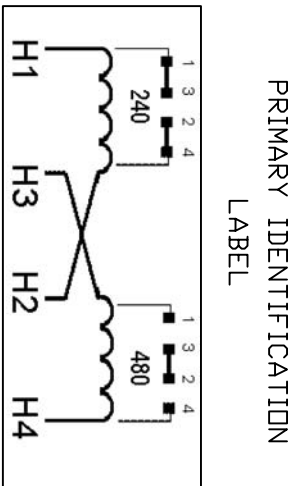


Transformer Specifications	
PRIMARY VOLTAGE(S)	240x480
SECONDARY VOLTAGE(S)	24
RATED V.A.	150
RATED FREQUENCY	50/60
INSULATION CLASS	130
AGENCY APPROVALS	UL, CUL
ESTIMATED WEIGHT	5.3 LBS



NOTE:
 1. TORQUE CONNECTIONS TO 16 LB-IN
 2. FUSE CLIPS TO ACCOMMODATE 13/32-1 1/2"
 3. ALL MEASUREMENTS IN INCHES (MM)



MAIN PRODUCT IDENTIFICATION LABEL

MICRON IMPERVITRAN
 U.S. PAT. NO. 3,516,040
 150VA 50/60Hz
 TEMP CL. 130°C
 CAT. NO. B150PU7JKF
 SERIES 2
 10082

PACKAGED ACCESSORIES	
1	PAIR DF J2 JUMPERS
-	-
-	-

MICRON PART NO.	B150PU7JKF
DATE	2/13/08
RELEASE DATE	
MANUFACTURER	JGV
DESIGNED	
APPROVED	